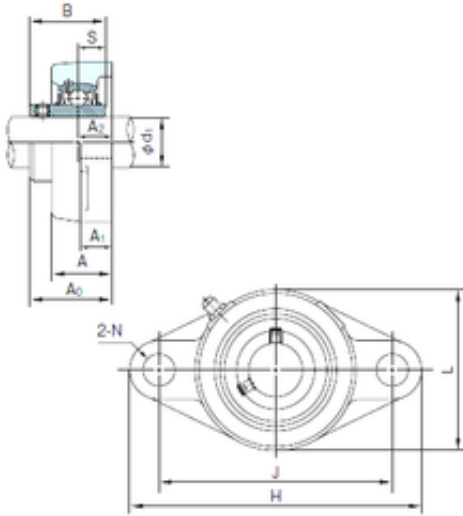




General Mechanical Equipment Company.

NACHI UCFLX07 Unidad De Rodamiento

Bearing No. UCFLX07



UCFLX07 Bearing 2D drawings and 3D CAD models

| | |
|---------------|---------|
| Bore Diameter | 35 mm |
| d1 | 35 mm |
| A0 | 51.2 mm |
| A | 38 mm |
| A1 | 14 mm |
| B | 49.2 mm |
| H | 171 mm |
| J | 144 mm |
| L | 105 mm |
| N | 16 mm |
| S | 19 mm |
| Bolt (G) | M14 |
| A2 | 21 mm |