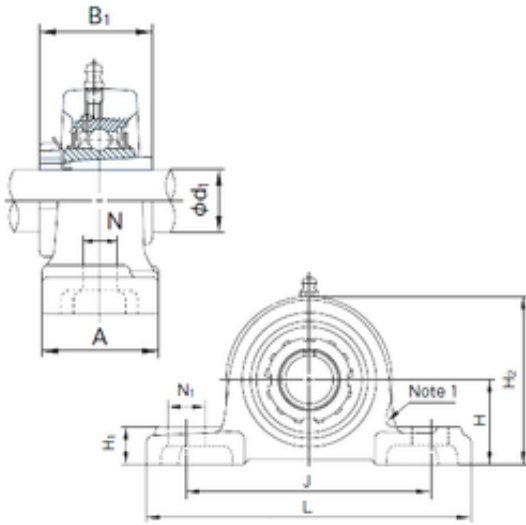




General Mechanical Equipment Company.

NACHI UKPX10+H2310 Unidad De Rodamiento

Bearing No. UKPX10+H2310



UKPX10+H2310 Bearing 2D drawings and 3D CAD models

Bore Diameter	45 mm
Width	63,5 mm
d	45 mm
A	73 mm
B1	55 mm
H	63,5 mm
H1	27 mm
H2	126 mm
J	171 mm
L	241 mm
N	20 mm
N1	36 mm
Bolt (G)	M16