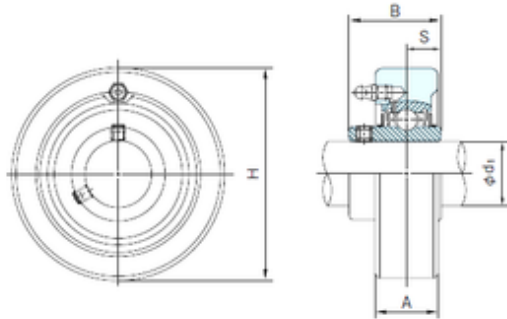




# General Mechanical Equipment Company.

## NACHI UCC204 Unidad De Rodamiento



Bearing No. UCC204

Bore Diameter	20 mm
Width	31 mm
d	20 mm
A	20 mm
B	31 mm
H	72 mm
S	12.7 mm

UCC204 Bearing 2D drawings and 3D CAD models