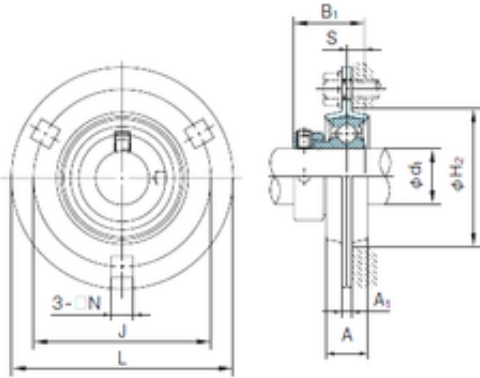




**NACHI KHPF205A Unidad De Rodamiento**



Bearing No. KHPF205A

Bore Diameter	25 mm
Width	31 mm
d	25 mm
A	18 mm
A1	4 mm
B	31 mm
H2	60 mm
J	76 mm
L	95 mm
N	9 mm
S	7.5 mm
Bolt (G)	M8

KHPF205A Bearing 2D drawings and 3D CAD models