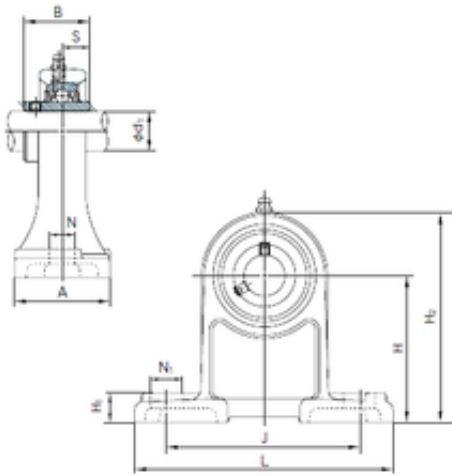




NACHI UCPH207 Unidad De Rodamiento

Bearing No. UCPH207



UCPH207 Bearing 2D drawings and 3D CAD models

Bore Diameter	35 mm
Width	42.9 mm
d	35 mm
A	60 mm
B	42.9 mm
H	95 mm
H1	19 mm
H2	140 mm
J	127 mm
L	167 mm
N	17 mm
N1	21 mm
S	17.5 mm
Bolt (G)	M14