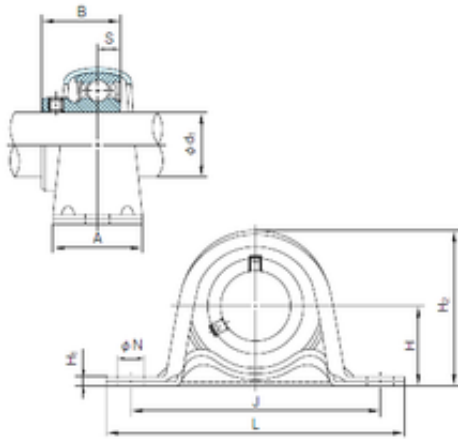




NACHI BPP5 Unidad De Rodamiento



Bearing No. BPP5

Bore Diameter	25 mm
Width	27 mm
d1	25 mm
A	32 mm
B	27 mm
H	28.6 mm
H1	4 mm
H2	56 mm
J	86 mm
L	108 mm
N	11.5 mm
S	7.5 mm
Bolt (G)	M10

BPP5 Bearing 2D drawings and 3D CAD models