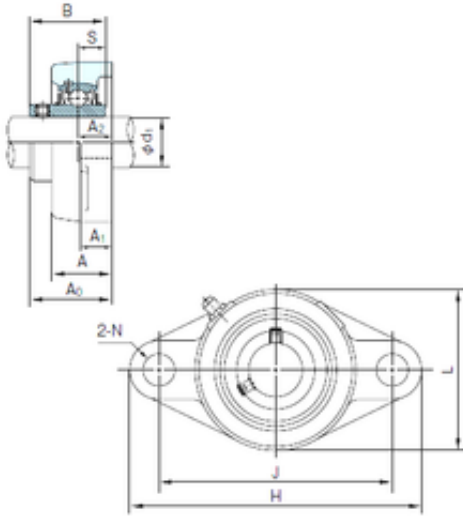




General Mechanical Equipment Company.



UCFL204 Bearing 2D drawings and 3D CAD models

NACHI UCFL204 Unidad De Rodamiento

Bearing No. UCFL204

Bore Diameter	20 mm
d1	20 mm
A0	33.3 mm
A	25.5 mm
A1	12 mm
B	31 mm
H	113 mm
J	90 mm
L	60 mm
L1	66 mm
N	12 mm
S	12.7 mm
Bolt (G)	M10
A2	15 mm
Category	Bearings
Inventory	0.0
Manufacturer Name	NACHI
Minimum Buy Quantity	N/A
Weight / Kilogram	0
Product Group	M06110