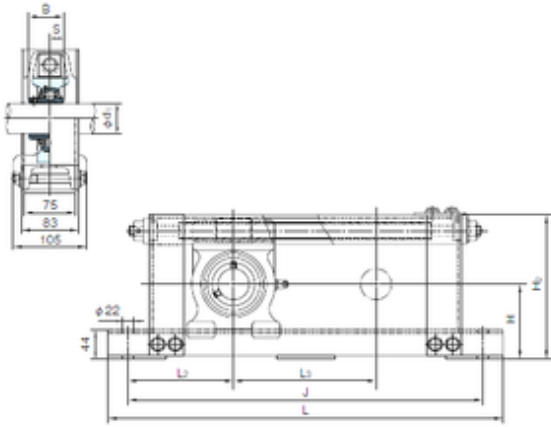




General Mechanical Equipment Company.

NACHI UCTU212+WU800 Unidad De Rodamiento

Bearing No. UCTU212+WU800



UCTU212+WU800 Bearing 2D drawings and 3D CAD models

Bore Diameter	60 mm
Width	65.1 mm
d	60 mm
L2	180 mm
L3	800 mm
B	65.1 mm
H	120 mm
H2	240 mm
J	1160 mm
L	1220 mm
S	25.4 mm
Bolt (G)	M18