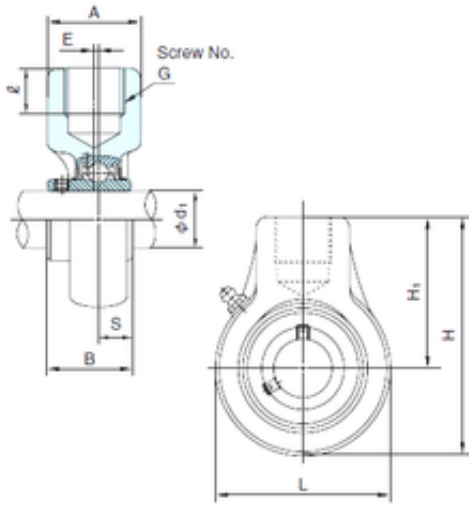




General Mechanical Equipment Company.



NACHI UCECH209 Unidad De Rodamiento

Bearing No. UCECH209

Bore Diameter	45 mm
Width	49.2 mm
d	45 mm
A	48 mm
B	49.2 mm
E	4 mm
H	136 mm
H1	82 mm
L	108 mm
S	19 mm
	21 Tolerance h14
Thread (G)	PF1

UCECH209 Bearing 2D drawings and 3D CAD models