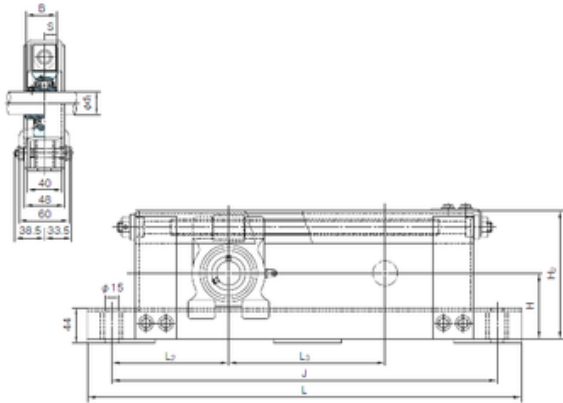




General Mechanical Equipment Company.



NACHI UCTL207+WL300 Unidad De Rodamiento

Bearing No. UCTL207+WL300

| | |
|---------------|---------|
| Bore Diameter | 35 mm |
| Width | 42,9 mm |
| d | 35 mm |
| L2 | 150 mm |
| L3 | 300 mm |
| B | 42,9 mm |
| H | 92 mm |
| H2 | 176 mm |
| J | 600 mm |
| L | 660 mm |
| S | 17,5 mm |
| Bolt (G) | M12 |

UCTL207+WL300 Bearing 2D drawings and 3D CAD models